

# TUC-27-HC

 Undercounter Foodservice Refrigerator, 1 Solid Swing Door



Dimensions		Build		Technical	
External Width (mm)	702	Door Description	1 Solid Swing Door	Temperature Holding	0.5 : 3.3°C
External Depth (mm)	766	Door Opening	Right (standard) or Left. Field Reversible.	Refrigerant	R290
External Height (mm)	839	Exterior Construction	Stainless steel front & countertop, aluminium sides & rear	Voltage / Frequency / Phase	220-240V/50-60Hz/1
Exclusions	Depth does not include 26 mm for rear bumpers.	Interior Construction	Clear coated aluminium, stainless steel base	Amps	0.8
Net Volume (Litres)	143	Air Intake Position	Front	Wattage	184
Gross Volume (Litres)	184	Ventilation Position	Front	Climate Class	5
Supplied Shelves	2	Clearance Required	Zero back and sides	Operating Statement	Heavy Duty: This appliance is intended for use in ambient temperatures up to 40°C.
Shelf Size (L x D mm)	One 590 x 488 + One 590 x 349	Cord Length (Meters)	2.13	Testing Standard	EN 16825
Internal Net Height (mm)	630	Standard w/ Locks	Standard	EEC	A
Unpackaged Weight (kg)	78			EEL	20.9
Packaged Weight (kg)	89			kWh/24hr	1.23
Packaged Dimensions (W x D x H mm)	769 x 839 x 1207			kWh/Annum	451
Supplied Supports	ø 64 mm castors (83 mm height) (reduced height option available, totals 810 mm)			Defrost Type	Auto



Specifications subject to change without notice.  
Technical data above related to energy use based on testing of 50Hz or Dual Frequency models  
Chart dimensions rounded up to the next whole millimeter (inches rounded up to the 1/8")

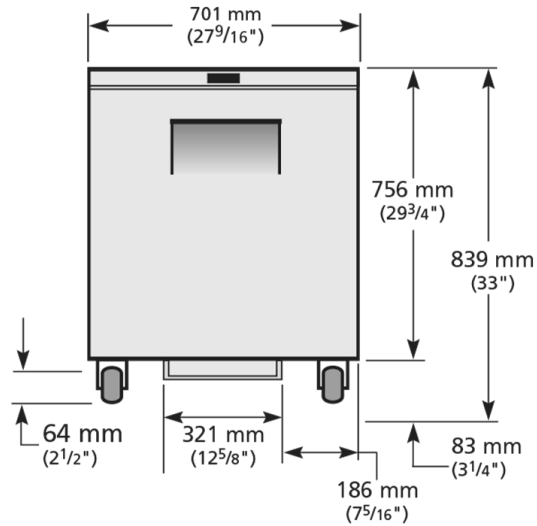
UK & Ireland [0800 783 2049](tel:08007832049)  
EMEA [+41 61 563 07 05](tel:+41615630705)  
Australia [+61 2 9619 9999](tel:+61296199999)

[TFIUK@truemfg.com](mailto:TFIUK@truemfg.com)  
[TrueCHCustomerService@truemfg.com](mailto:TrueCHCustomerService@truemfg.com)  
[TrueRefAus@truemfg.com](mailto:TrueRefAus@truemfg.com)

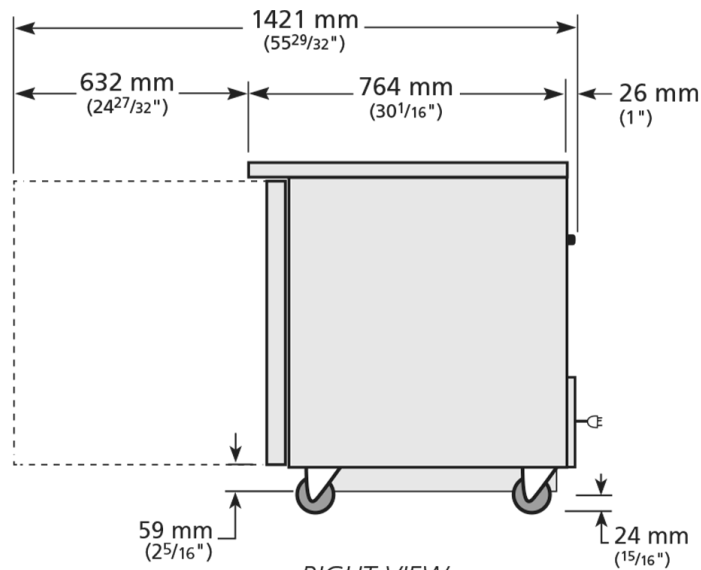


# TUC-27-HC

 Undercounter Foodservice Refrigerator, 1 Solid Swing Door



ELEVATION



RIGHT VIEW



Specifications subject to change without notice.  
 Technical data above related to energy use based on testing of 50Hz or Dual Frequency models  
 Chart dimensions rounded up to the next whole millimeter (inches rounded up to the 1/8")

UK & Ireland [0800 783 2049](tel:08007832049)  
 EMEA [+41 61 563 07 05](tel:+41615630705)  
 Australia [+61 2 9619 9999](tel:+61296199999)

[TFIUK@truemfg.com](mailto:TFIUK@truemfg.com)  
[TrueCHCustomerService@truemfg.com](mailto:TrueCHCustomerService@truemfg.com)  
[TrueRefAus@truemfg.com](mailto:TrueRefAus@truemfg.com)

