



F49/400/SS - IMC Frostar  
FR60 Glass Froster [Top  
Load] - Stainless Steel  
Exterior - W 600 mm -  
0.650 kW

Stylish and functional, the Frostar FR60 is designed to frost glasses and super-chill spirits, keeping drinks colder for longer and enhancing their appearance.

- ✔ Chills and frosts glasses, to enhance the taste and appearance of drinks
- ✔ Top loading with sliding cover for quick and easy access
- ✔ Rapid chill to -17°C to keep drinks colder for longer
- ✔ Stylish stainless steel exterior to suit any commercial bar setting
- ✔ Efficient design means up to 75 glasses can be chilled at the same time
- ✔ UK 3 pin plug - simply plug in and switch on

## Specifications

### Summary

<b>Brand</b>	IMC
<b>Range</b>	Frostar
<b>Power Type</b>	Electric
<b>Unit Type</b>	Free-standing
<b>Available in UK Only</b>	No
<b>UK Warranty</b>	2 Years Parts and Labour Warranty
<b>Export Warranty</b>	Contact your local dealer
<b>GTIN</b>	5056105198574

### Power and Performance

<b>Total Power kW</b>	0.650
<b>Temperature Range °C</b>	-17 constant
<b>IP Rating</b>	IPX1
<b>Temperature Control</b>	Electronic

### Key Specifications

<b>Door Hinge</b>	Sliding
<b>Door Location</b>	Top
<b>Lockable Door</b>	Yes
<b>Colour</b>	Stainless Steel
<b>Number of Doors</b>	1
<b>Number of Shelves included</b>	3
<b>Number of Shelf Positions</b>	2
<b>Refrigerant Type</b>	R452a
<b>Type of Lighting</b>	Fluorescent

### Capacity

<b>Capacity Glasses</b>	75 x standard pint
<b>Capacity Litres</b>	132

### Weights and Dimensions

<b>Unit Height (External) mm</b>	900
<b>Unit Width (External) mm</b>	600
<b>Unit Depth (External) mm</b>	620
<b>Height (Internal) mm</b>	550
<b>Width (Internal) mm</b>	526
<b>Depth (Internal) mm</b>	460
<b>Shelf Dimensions Width mm</b>	520 [bottom], 300 [top]
<b>Shelf Dimensions Depth mm</b>	450
<b>Net Weight Kg</b>	56.5

### Supply Connections

<b>Requires Installation</b>	No
<b>Requires Electrical Supply</b>	Yes
<b>UK 3 Pin Plug</b>	Yes
<b>Requires Hardwiring</b>	No
<b>Electrical Supply Rating Watts</b>	650
<b>Single Phase Amps</b>	2.71
<b>Single Phase Voltage</b>	240

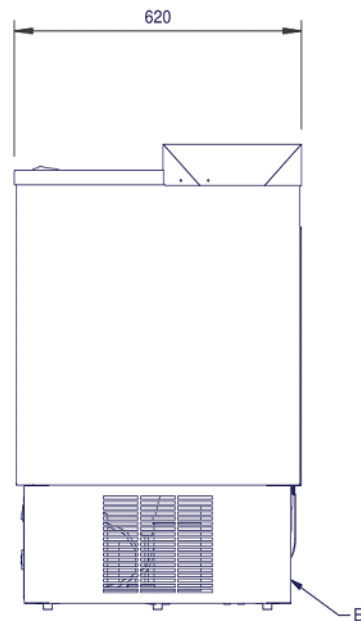
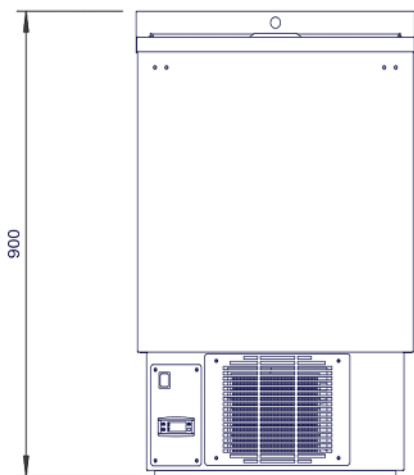
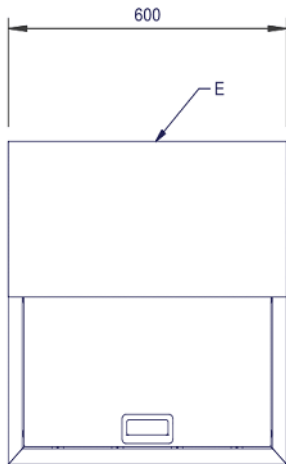
### Shipping

<b>Packed Weight Kg</b>	62.15
<b>Packed Height cm</b>	105
<b>Packed Width cm</b>	68
<b>Packed Depth cm</b>	68

**Available Accessories**

- BA52/060** Speed Rail for FR60 Glass Froster
- S49/017** Bottle Opener and Cap Catcher for FR60/90 Glass Froster

**Technical Picture**





**Lincat Limited**

Whisby Road,  
Lincoln, LN6 3QZ,  
United Kingdom

**Company No:** 2175448

A member company of



**Customer Care**

**Tel:** +44 1522 875500  
**Email:** care@lincat.co.uk

**Export Customers**

**Tel:** +44 1522 875536  
**Email:** export@lincat.co.uk

**Opening Hours**

**Monday – Friday:**  
8.30am – 5pm