



# VACUUM PACKING MACHINE SE-208 230/50-60/1

Tabletop model. 8 m³/h. 280 mm



1141080



## SALES DESCRIPTION

280 mm sealing bar.  
8 m³/h Busch vacuum pump.  
Vacuum controlled by sensor.

- ✓ Powered by Busch.
- ✓ Vacuum controlled by sensor.
- ✓ Vacuum PLUS.
- ✓ Digital keyboard.
- ✓ Control panel equipped with display indicating the exact vacuum percentage.
- ✓ "Pause" button to marinate food.
- ✓ Safe liquid packing thanks to sensor control.
- ✓ Double seal.
- ✓ Cordless sealing bar.
- ✓ Bag-sealing programme.
- ✓ Pulse-controlled decompression.
- ✓ Vac-Norm ready with Automatic decompression.
- ✓ Stainless steel body and chamber. Deep-drawn chamber.
- ✓ Damped transparent lid of highly durable polycarbonate.
- ✓ Dry-oil programme for drying the pump.
- ✓ Working hours counter for oil changes.
- ✓ Safety system with protection against vacuum failure.
- ✓ NSF-listed model.

## INCLUDES

- ✓ Sensor controls
- ✓ Up to 10 seconds of extra vacuum pull
- ✓ Soft air function
- ✓ Dry oil cycle
- ✓ BUSCH pump
- ✓ NSF approved
- ✓ Clear methacrylate lid
- ✓ Filling plate

## OPTIONAL

- Vacuum packing bags accessories
- External vacuum kit for Vac-Norm, containers and  Additional filling plates

## SPECIFICATIONS

Pump capacity: 8 m³/h  
 Pump capacity (60 Hz): 10 m³/h  
 Bar length: 280 mm  
 Total loading: 450 W  
 Vacuum pressure (maximum): 2 mbar  
 Electrical supply: 230 V / 50-60 Hz / 1 ~ (3.1 A)  
 Plug: EU (SCHUKO 2P+G)

### Internal dimensions

- ✓ Width: 288 mm
- ✓ Depth: 333 mm
- ✓ Height: 110 mm

### External dimensions (WxDxH)

- ✓ Width: 337 mm
- ✓ Depth: 431 mm
- ✓ Height: 331 mm

Net weight: 32 Kg

Noise level (1m.): 75 dB(A)  
 Background noise: 32 dB(A)

### Crated dimensions

400 x 525 x 390 mm  
 Gross weight: 35 Kg

FOOD PRESERVATION AND SOUS-VIDE  
VACUUM PACKING MACHINES · SENSOR LINE

product sheet  
updated 07/11/2022



SAMMIC, S.L.  
Bassate, 1 - 20729 A20111A  
www.sammic.com



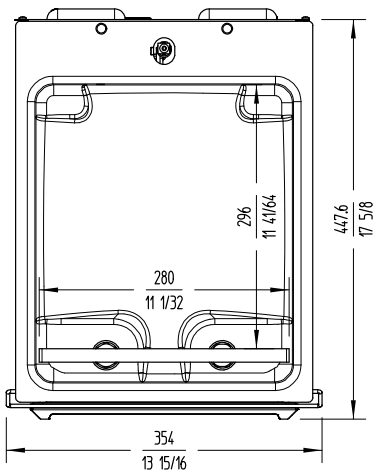
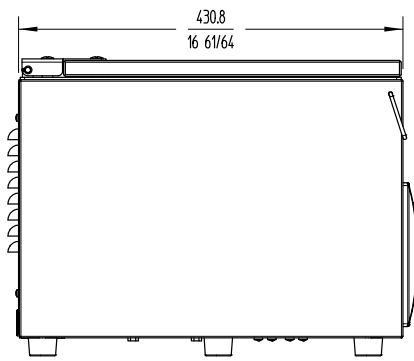
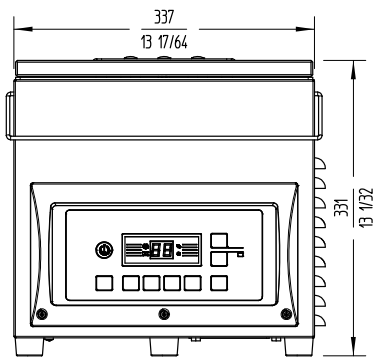
# VACUUM PACKING MACHINE SE-208 230/50-60/1

Tabletop model. 8 m³/h. 280 mm



1141080

FOOD PRESERVATION AND SOUS-VIDE  
VACUUM PACKING MACHINES · SENSOR LINE




**www.sammic.co.uk**  
**Food Service Equipment Manufacturer**  
 Unit 2, Trevanah Road  
 Troon Industrial Park  
 LE4 9LS - Leicester  
 uksales@sammic.com  
 Tel.: +44 0116 246 1900



Project	Date
Item	Qty
Approved	

product sheet  
updated 07/11/2022