

TCF1/3-CL-SS-DL-DR-DR

 1/1 GN Counter Freezer, 3 Section


Dimensions		Build		Technical	
External Width (mm)	1865	Door Description	3 Solid Swing Doors	Temperature Holding	-23°C
External Depth (mm)	700	Door Opening	Left Door opens left, Centre Door opens right, Right Door opens right. Configurable and Field Reversible.	Refrigerant	R290
External Height (mm)	900	Exterior Construction	Stainless steel front & countertop, aluminium sides & rear	Voltage / Frequency / Phase	220-240V/50Hz/1
Exclusions	Depth does not include 41mm for door handles.	Interior Construction	Clear coated aluminium, stainless steel base	Amps	0.7
Net Volume (Litres)	249	Air Intake Position	Front	60Hz model Amps	1.9
Gross Volume (Litres)	630	Ventilation Position	Front	Wattage	161
Supplied Shelves	6	Clearance Required	Zero back and sides	60Hz model Wattage	437
Shelf Size (L x D mm)	530 x 325	Cord Length (Meters)	2.74	Climate Class	5
Internal Net Height (mm)	500	Standard w/ Locks	standard	Operating Statement	Heavy Duty: This appliance is intended for use in ambient temperatures up to 40°C.
Unpackaged Weight (kg)	182			Testing Standard	EN 16825
Packaged Weight (kg)	193			EEC	C
Packaged Dimensions (W x D x H mm)	2032 x 801 x 1069			EEL	42.7
Supplied Supports	ø 127 mm castors (152 mm height). Plinth mountable			kWh/24hr	4.49
				kWh/Annum	1639
				Defrost Type	Auto



Specifications subject to change without notice.
 Technical data above related to energy use based on testing of 50Hz or Dual Frequency models
 Chart dimensions rounded up to the next whole millimeter (inches rounded up to the 1/8")

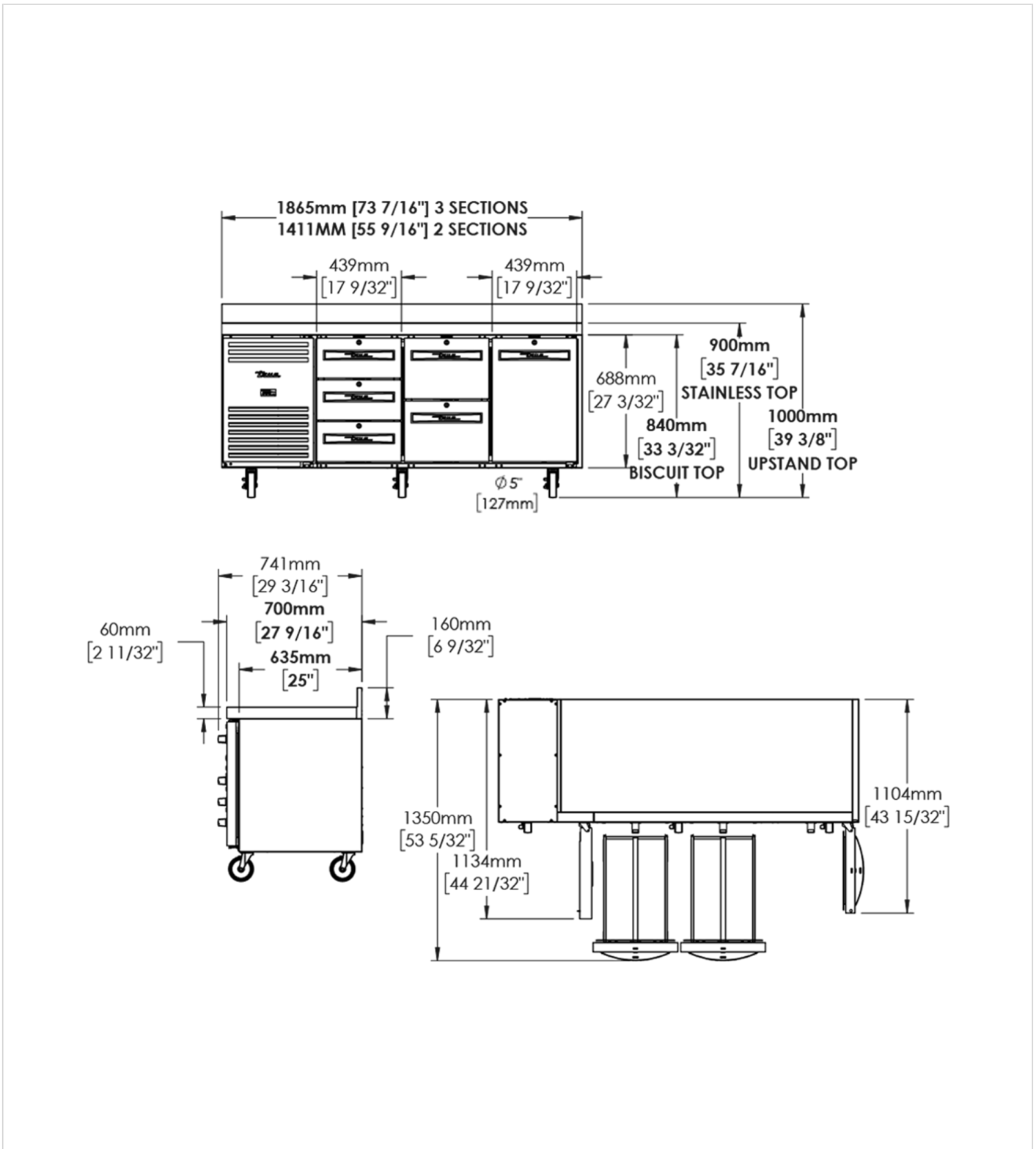
UK & Ireland [0800 783 2049](tel:08007832049)
 EMEA [+41 61 563 07 05](tel:+41615630705)
 Australia [+61 2 9619 9999](tel:+61296199999)

TFIUK@truemfg.com
TrueCHCustomerService@truemfg.com
TrueRefAus@truemfg.com



TCF1/3-CL-SS-DL-DR-DR

🇬🇧 1/1 GN Counter Freezer, 3 Section



Specifications subject to change without notice.
 Technical data above related to energy use based on testing of 50Hz or Dual Frequency models
 Chart dimensions rounded up to the next whole millimeter (inches rounded up to the 1/8")

UK & Ireland [0800 783 2049](tel:08007832049)
 EMEA [+41 61 563 07 05](tel:+41615630705)
 Australia [+61 2 9619 9999](tel:+61296199999)

TFIUK@truemfg.com
TrueCHCustomerService@truemfg.com
TrueRefAus@truemfg.com

